

ZERO® DAIKANYAMA



ZERO®

DAIKANYAMA

VAJER-PENDEL/WIRE-PENDANT



ZERO®

DAIKANYAMA

VAJER-PENDEL/WIRE-PENDANT





# DAIKANYAMA

VAJER-PENDEL/WIRE-PENDANT



## Utförande

Lackerad aluminium. vit RAL 9016, svart RAL 9005, röd RAL 3020, gul RAL 1023, orange RAL 2004. Inre kupa i matt glas. Andra färger på begäran.

8252 - exklusive ljuskälla.

8265 - inklusive dimbar 230V LED retrofit ljuskälla.

12050 - inklusive LED modul med möjlighet till DALI.

## Led info modell 12050

Systemeffekt 13W. Armaturlumen 979LM. Symmetrisk. Korrelerad färgtemperatur 3000K. Färgtolerans SDCM 3. Färgåtergivning RA >80. L80, 80.000h.

## Montage

På vajer, max 3 mm diameter.

## Anslutning

Snabbkopplingsplint 5x4mm<sup>2</sup>. Överkopplingsbar.

## Design

Thomas Bernstrand 2013.

## Finish

Painted aluminum. white RAL 9016, black RAL 9005, red RAL 3020, yellow RAL 1023, orange RAL 2004. Diffuser in matt glass. Other colours on request.

8252 - excluding light source.

8265 - including dimable 230V LED retrofit light source.

12050 - including LED module, possible with DALI.

## Led info model 12050

System power 13W. Luminaire Luminous Flux 979LM. CCT 3000K. SDCM 3. CRI >80. L80, 80.000h.

## Installation

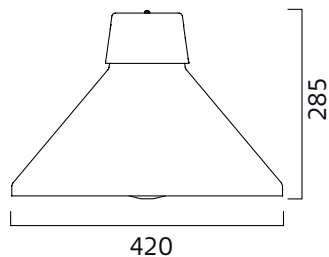
On wire, max 3 mm diameter.

## Connection

Snap-in terminal block 5x4mm<sup>2</sup>. Double conduit entry.

## Design

Thomas Bernstrand 2013.





# DAIKANYAMA

VAJER-PENDEL/WIRE-PENDANT



## PRODUKTFAKTA/PRODUCT SPECIFICATION

EFFEKT/POWER	LJUSFLÖDE/LUMINAIRE FLUX	KELVIN	CRI	FÄRG/COLOR	ART.
<b>E27 sockel exklusive ljuskälla/E27 socket excluding light source</b>					
E27/Max 10W	-	-	-	Vit/White	8252-1-01
E27/Max 10W	-	-	-	Svart/Black	8252-1-06
E27/Max 10W	-	-	-	Röd/Red	8252-1-07
E27/Max 10W	-	-	-	Gul/Yellow	8252-1-14
E27/Max 10W	-	-	-	Orange/Orange	8252-1-41
<b>E27 sockel inklusive dimmbar LED ljuskälla/E27 socket including dimmable LED light source</b>					
E27/LED 9W	528LM	2700	>80	Vit/White	8265-1-01
E27/LED 9W	528LM	2700	>80	Svart/Black	8265-1-06
E27/LED 9W	528LM	2700	>80	Röd/Red	8265-1-07
E27/LED 9W	528LM	2700	>80	Gul/Yellow	8265-1-14
E27/LED 9W	528LM	2700	>80	Orange/Orange	8265-1-41
<b>Med inbyggd LED modul och drivdon, finns i DALI dim utförande/With built in LED module and driver. Possible with Dali dim option</b>					
13W/LED	979LM	3000	>80	Vit/White	12050101-30
13W/LED	979LM	3000	>80	Vit/White	12050101D30
13W/LED	979LM	3000	>80	Svart/Black	12050106-30
13W/LED	979LM	3000	>80	Svart/Black	12050106D30
13W/LED	979LM	3000	>80	Gul/Yellow	12050114-30
13W/LED	979LM	3000	>80	Gul/Yellow	12050114D30
13W/LED	979LM	3000	>80	Orange/Orange	12050141-30
13W/LED	979LM	3000	>80	Orange/Orange	12050141D30

D = Dimmbar med DALI alt. SwitchDim/Dimmable with DALI or SwitchDim

### Tillbehör/Accessories

Vajer 1 meter/Wire 1 meter	98255101
Vantskruv/Turnbuck	98255201
Fransk skruv med ögla/French screw with loop	98255301
Vajerlås/Wire lock	98255401

**ZERO**<sup>®</sup>

DAIKANYAMA

PENDEL/PENDANT



ZERO®

DAIKANYAMA

PENDEL/PENDANT



LACKERAD I SPECIAL FÄRG/PAINTED IN CUSTOM COLOUR

**ZERO**<sup>®</sup>**DAIKANYAMA**

PENDEL/PENDANT

**Utförande**

Lackerad aluminium. vit RAL 9016, svart RAL 9005, röd RAL 3020, gul RAL 1023, orange RAL 2004. Inre kupa i matt glas. Andra färger på begäran.

8252 - exklusive ljuskälla.

8265 - inklusive dimbar 230V LED retrofit ljuskälla.

12050 - inklusive LED modul med möjlighet till DALI.

**Led info modell 12050**

Systemeffekt 13W. Armaturlumen 979LM. Symmetrisk. Korrelerad färgtemperatur 3000K. Färgtolerans SDCM 3. Färgåtergivning RA >80. L80, 80.000h.

**Montage**

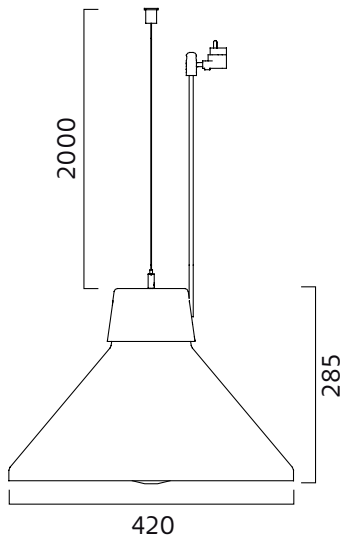
I tak, pendlas i vajer. Inklusive takkopp.

**Anslutning**

Takkontakt alt. kopplingsplint 3x4mm<sup>2</sup>.

**Design**

Thomas Bernstrand 2013.

**Finish**

Painted aluminum. white RAL 9016, black RAL 9005, red RAL 3020, yellow RAL 1023, orange RAL 2004. Diffuser in matt glass. Other colours on request.

8252 - excluding light source.

8265 - including dimmable 230V LED retrofit light source.

12050 - including LED module, possible with DALI.

**Led info model 12050**

System power 13W. Luminaire Luminous Flux 979LM. CCT 3000K. SDCM 3. CRI >80. L80, 80.000h.

**Installation**

In ceiling, wire pendant. Including ceiling cup.

**Connection**

Terminal block 3x4mm<sup>2</sup>.

**Design**

Thomas Bernstrand 2013.





**ZERO®****DAIKANYAMA**

PENDEL/PENDANT


**PRODUKTFAKTA/PRODUCT SPECIFICATION**

EFFEKT/POWER	LJUSFLÖDE/LUMINAIRE FLUX	KELVIN	CRI	FÄRG/COLOR	ART.
<b>E27 sockel exklusive ljuskälla/E27 socket excluding light source</b>					
E27/Max 10W	-	-	-	Vit/White	8259-1-01
E27/Max 10W	-	-	-	Svart/Black	8259-1-06
E27/Max 10W	-	-	-	Röd/White	8259-1-07
E27/Max 10W	-	-	-	Gul/Yellow	8259-1-14
E27/Max 10W	-	-	-	Orange/Orange	8259-1-41
<b>E27 sockel inklusive dimmbar LED ljuskälla/E27 socket including dimmable LED light source</b>					
E27/LED 9W	528LM	2700	>80	Vit/White	8267-1-01
E27/LED 9W	528LM	2700	>80	Svart/Black	8267-1-06
E27/LED 9W	528LM	2700	>80	Röd/White	8267-1-07
E27/LED 9W	528LM	2700	>80	Gul/Yellow	8267-1-14
E27/LED 9W	528LM	2700	>80	Orange/Orange	8267-1-41
<b>Med inbyggd LED modul och drivdon, finns i DALI dim utförande/With built in LED module and driver. Possible with Dali dim option</b>					
13W/LED	979LM	3000	>80	Vit/White	12052101-30
13W/LED	979LM	3000	>80	Vit/White	12052101D30
13W/LED	979LM	3000	>80	Svart/Black	12052106-30
13W/LED	979LM	3000	>80	Svart/Black	12052106D30
13W/LED	979LM	3000	>80	Gul/Yellow	12052114-30
13W/LED	979LM	3000	>80	Gul/Yellow	12052114D30
13W/LED	979LM	3000	>80	Orange/Orange	12052141-30
13W/LED	979LM	3000	>80	Orange/Orange	12052141D30

D = Dimmbar med DALI alt. SwitchDim/Dimmable with DALI or SwitchDim

**ZERO**<sup>®</sup>

DAIKANYAMA

VAJER-PENDEL/WIRE-PENDANT



## THOMAS BERNSTRAND

Thomas är född 1965 i Bromma, Stockholm.

Utbildad till produktformgivare på Konstfack i Stockholm och Danmarks Designskole.

Sedan 1999 designar han åt ett antal svenska och internationella företag. Bland utmärkelser kan nämnas "Årets Möbel 2005", "cDIM Professional Design Award" i Valencia 2004 och "Utmärkt Svensk Design" åren 2000 och 2002 samt NYC X DESIGN Awards Honoree 2017, MIAW – MUUUZ International Awards 2017, EDITOR 'S AWARD New York ICF 2017, EDITOR 'S CHOICE Stockholm Fair 2017, ARCHIPRODUCTS DESIGN AWARDS 2017, GERMAN DESIGN AWARD 2018

Thomas was born 1965 in Bromma, Stockholm.

Educated as a product designer at Konstfack in Stockholm and Danish Design School.

Since 1999, he designs products for a number of Swedish and international companies. Among his awards are the "Furniture of the Year 2005", "cDIM Professional Design Award" in Valencia 2004 and "Excellent Swedish Design" in 2000 and 2002. NYC X DESIGN Awards Honoree 2017, MIAW – MUUUZ International Awards 2017, EDITOR 'S AWARD New York ICF 2017, EDITOR 'S CHOICE Stockholm Fair 2017, ARCHIPRODUCTS DESIGN AWARDS 2017, GERMAN DESIGN AWARD 2018

**ZERO**

**DAIKANYAMA**

VAJER-PENDEL/WIRE-PENDANT



**Head office:**  
Friluftsvägen 2  
SE-382 34 Nybro, Sweden  
+46(0)481 800 00  
info@zero.se

**Showroom Stockholm:**  
Södermallsallén 36,  
SE-118 28 Stockholm, Sweden  
+46(0)8-545 850 00

info@zero.se